



Width of Scan Field	40 X 50 mm
PCS	≥ 30%
Roll, Pitch, Yaw	360°, 45°, 45°
Circumstance Luminosity	0 - 100,000 LUX
Max Power Consumption	1.8 W (Max)
Power Supply	DC 5.6V, 1.5A ; AC 100-240V, 50-60HZ
Outline	102 mm (L) x 65 mm (W) x 85 mm (H).
Weight	300g
Operate Temperature	-5 °C to + 45°C
Storage Temperature	-40°C to + 60°C
Humidity	5% - 95% (non-condensing)
Software	QuickSet-II.4
International Authentication	FCC Part15 Class B, CE EMC Class B

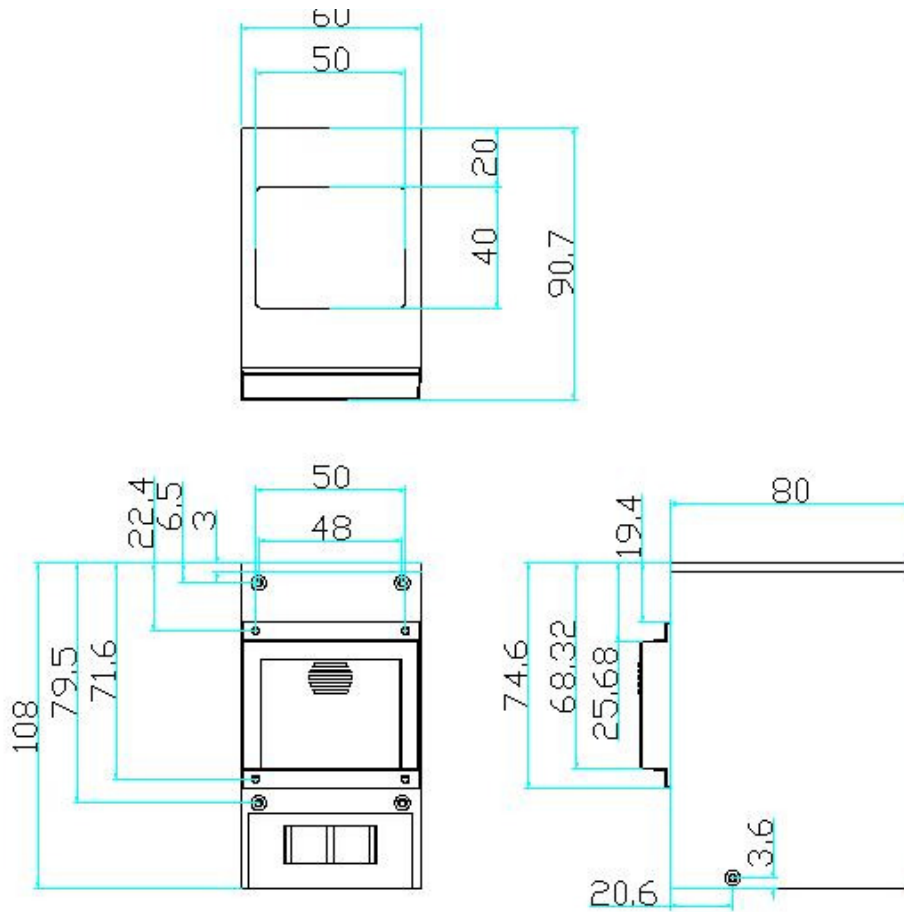


## Image Reading Characteristics

Code Size	Smart Focus-90mm	Standard Focus-110mm	Long Focus-150mm
	Near ~ Far	Near ~ Far	Near ~ Far
Code39 5mil	65 mm ~ 95 mm	90mm ~ 120 mm	105mm ~ 120 mm
Code39 10mil	65 mm ~ 135 mm	65mm ~ 185 mm	65 mm ~ 205 mm
PDF417 5mil	55 mm ~ 105 mm	75mm ~ 120 mm	95 mm ~ 125 mm
PDF417 10mil	50 mm ~ 135 mm	60mm ~ 180 mm	70 mm ~ 210 mm
DataMatrix 10mil	45 mm ~ 125 mm	65mm ~ 155 mm	80 mm ~ 180 mm
DataMatrix 15mil	35 mm ~ 140 mm	40mm ~ 180 mm	55 mm ~ 220 mm
QR Code 10mil	45 mm ~ 115 mm	60mm ~ 160 mm	70 mm ~ 175 mm
QR Code 15mil	35 mm ~ 145 mm	45mm ~ 180 mm	55 mm



## Dimensions



## Contact



Solution Provider:

Manufacturer:  
MbarcNewland™  
Mbarc  
Nijverheidsweg 1 d-e  
6651 KS Druten  
the Netherlands  
[www.mbarc.nl](http://www.mbarc.nl)  
[info@mbarc.nl](mailto:info@mbarc.nl)



AUTO-ID VALIDATION FOR THE MOBILE INDUSTRY

