



Introduction

m¹



Mbarc your mobile business with the MbarcNewland M1 Fixed Mount Mobile Phone screen scanner. The M1 is specially designed to fit in an existing checkout or service environment operating with a POS or PC system.

The M1 connects mobile phone users to your business making existing processes more efficient and creating new opportunities of doing business. From ubiquitous connectivity into making contact, from making contact into building a 1 on 1 relation MbarcNewland offers a wide range of business solutions for Mobile Ticketing, Mobile Couponing, Mobile Loyalty, etc.

Powered by advanced imaging technology, intelligence and superior reading speed the M1 is the best available price/performance scanner in the market to read 1D and 2D barcodes on phone screens and paper.



Specifications

General			
Housing	Plastic housing with rubber pad for positioning mobile phone during scanning of phone screen.		
Functional	Free-Stand model for use on counter in POS environment.		
Feedback	Buzzer		
Ergonomics	Omnidirectional scanning		
Reading	Reading from screens & paper.		
Specifications			
Model	M1 RS232	M1 USB	M1 KBW
CPU	32 bit RISC, ARM7 74MHz		32 bit RISC, XScale 312 MHz
Memory	8M RAM, 2M Flash		32M RAM, 32M Flash
Interface	RS232 (9.6~115.2Kbps)		
	USB 1.1		
			KBW
Reading Mode	Image (640 * 480 CMOS)		
Code	2D: PDF417, QR code, DataMatrix 1D: Code128, EAN-13 , EAN-C8 , Code 39, UPC-A , UPC- E, Codabar, Interleaved 2 of 5, Standard 2/5,		



AUTO-ID VALIDATION FOR THE MOBILE INDUSTRY



	China post 25, ISBN/ISSN, Code 93, etc.
Precision	≥ 3 mil
Light Source	Visible LED Diode 630 nm + 10 nm
Light Intensity	1000 LUX (in 130mm)
Width of Scan Field	40 X 50 mm
PCS	≥ 30%
Roll, Pitch, Yaw	360°, 45°, 45°
Circumstance Luminosity	0 - 100,000 LUX
Max Power Consumption	1.8 W (Max)
Power Supply	DC 5.6V, 1.5A ; AC 100-240V, 50-60HZ
Outline	119mm (L) * 96mm (W) * 118mm (H)
Weight	300g
Operate Temperature	-5 °C to + 45°C
Storage Temperature	-40°C to + 60°C
Humidity	5% - 95% (non-condensing)
Software	QuickSet-II QuickSet-III
International Authentication	FCC Part15 Class B, CE EMC Class B

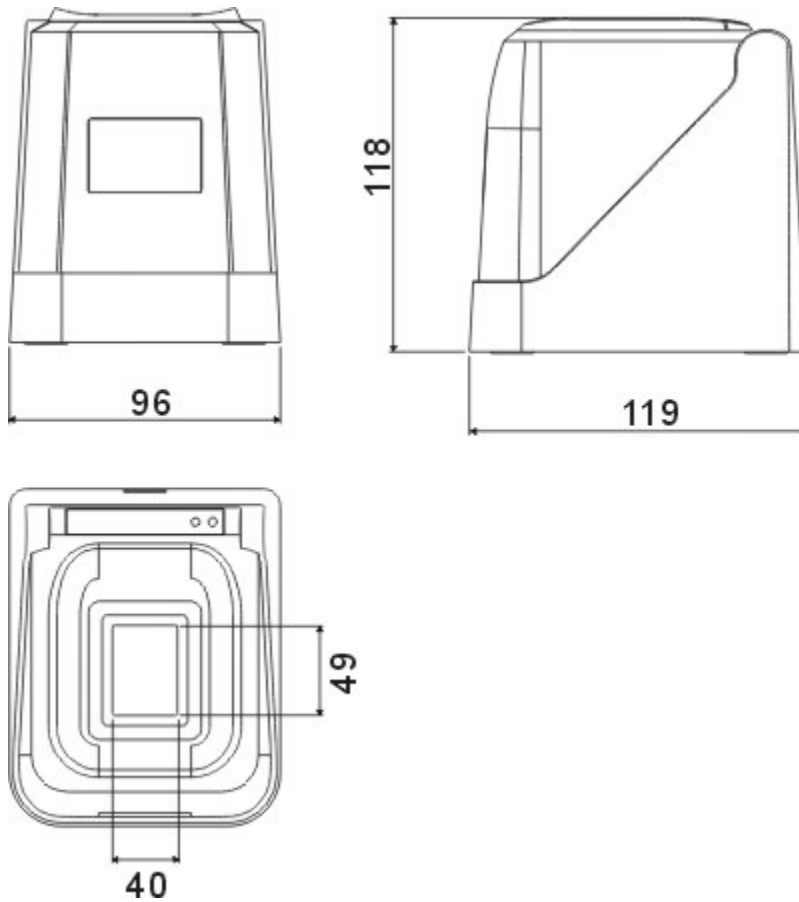


Image Reading Characteristics

Code Size	Smart Focus-90mm	Standard Focus-110mm	Long Focus-150mm
	Near ~ Far	Near ~ Far	Near ~ Far
Code39 5mil	65 mm ~ 95 mm	90mm ~ 120 mm	105mm ~ 120 mm
Code39 10mil	65 mm ~ 135 mm	65mm ~ 185 mm	65 mm ~ 205 mm
PDF417 5mil	55 mm ~ 105 mm	75mm ~ 120 mm	95 mm ~ 125 mm
PDF417 10mil	50 mm ~ 135 mm	60mm ~ 180 mm	70 mm ~ 210 mm
DataMatrix 10mil	45 mm ~ 125 mm	65mm ~ 155 mm	80 mm ~ 180 mm
DataMatrix 15mil	35 mm ~ 140 mm	40mm ~ 180 mm	55 mm ~ 220 mm
QR Code 10mil	45 mm ~ 115 mm	60mm ~ 160 mm	70 mm ~ 175 mm



Dimensions



Contact



Solution Provider:

Manufacturer:
MbarcNewland™
Mbarc
Nijverheidsweg 1 d-e
6651 KS Druten
the Netherlands
www.mbarc.nl
info@mbarc.nl



AUTO-ID VALIDATION FOR THE MOBILE INDUSTRY

